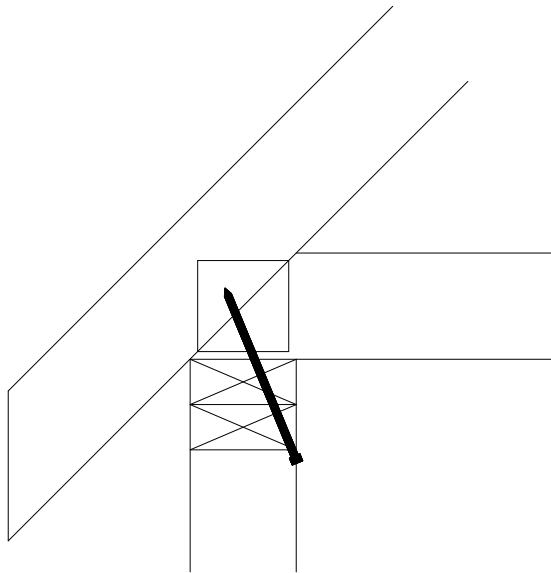


MiTek Industries, Inc.

NOTES:

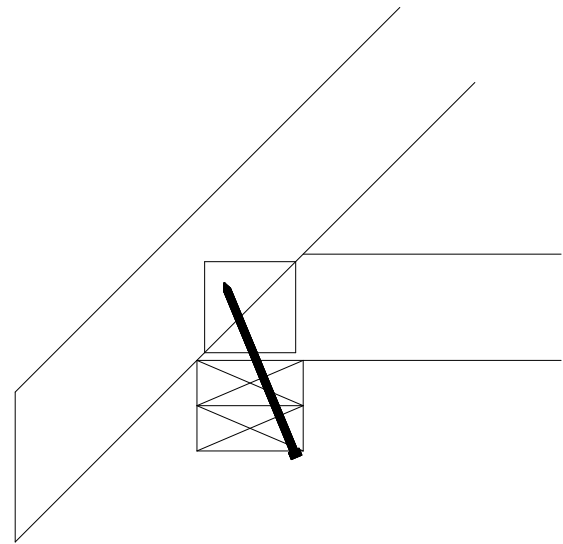
1. USE A 6" MiTek TimberLOK SCREW.
2. DRIVE FASTENER THROUGH UNDERSIDE OF THE TOP PLATE AT A 22-1/2 DEGREE ANGLE (+/- 5 DEGREE) AND INTO THE CENTER OF THE TRUSS.
3. FASTENER MUST BE DRIVEN INTO THE CENTER OF THE 1-1/2" TRUSS CHORD EDGE (+/- 1/4") WITH THE THREADS FULLY ENGAGED IN THE TRUSS CHORDS (BOTTOM CHORD, TOP CHORD OR BOTH ARE ACCEPTABLE).
4. BRING THE FASTENER HEAD FLUSH WITH THE WOOD SURFACE.

DETAIL A



WHERE THE TRUSS IS ALIGNED DIRECTLY OVER THE WALL STUD, INSERT FASTENER POINT WHERE THE BOTTOM OF THE TOP PLATE AND THE TOP OF THE STUD MEET.

DETAIL B



WHERE THE TRUSS IS LOCATED BETWEEN TWO STUDS, INSERT FASTENER POINT ON BOTTOM SURFACE OF THE TOP PLATE NO GREATER THAN 1/2" FROM THE INSIDE EDGE OF THE PLATE.

TimberLOK Design Loads for Truss to Top Plate Connections (lb.)

Wood Species	SPF/HF		Douglas Fir		Southern Pine	
	Uplift	Lateral/Shear	Uplift	Lateral/Shear	Uplift	Lateral/Shear
Allowable Load	420	320	540	380	620	410

A STANDARD WIND LOAD DURATION FACTOR OF 1.6 HAS BEEN APPLIED TO THESE VALUES PER NDS TABLE 2.3.2

